
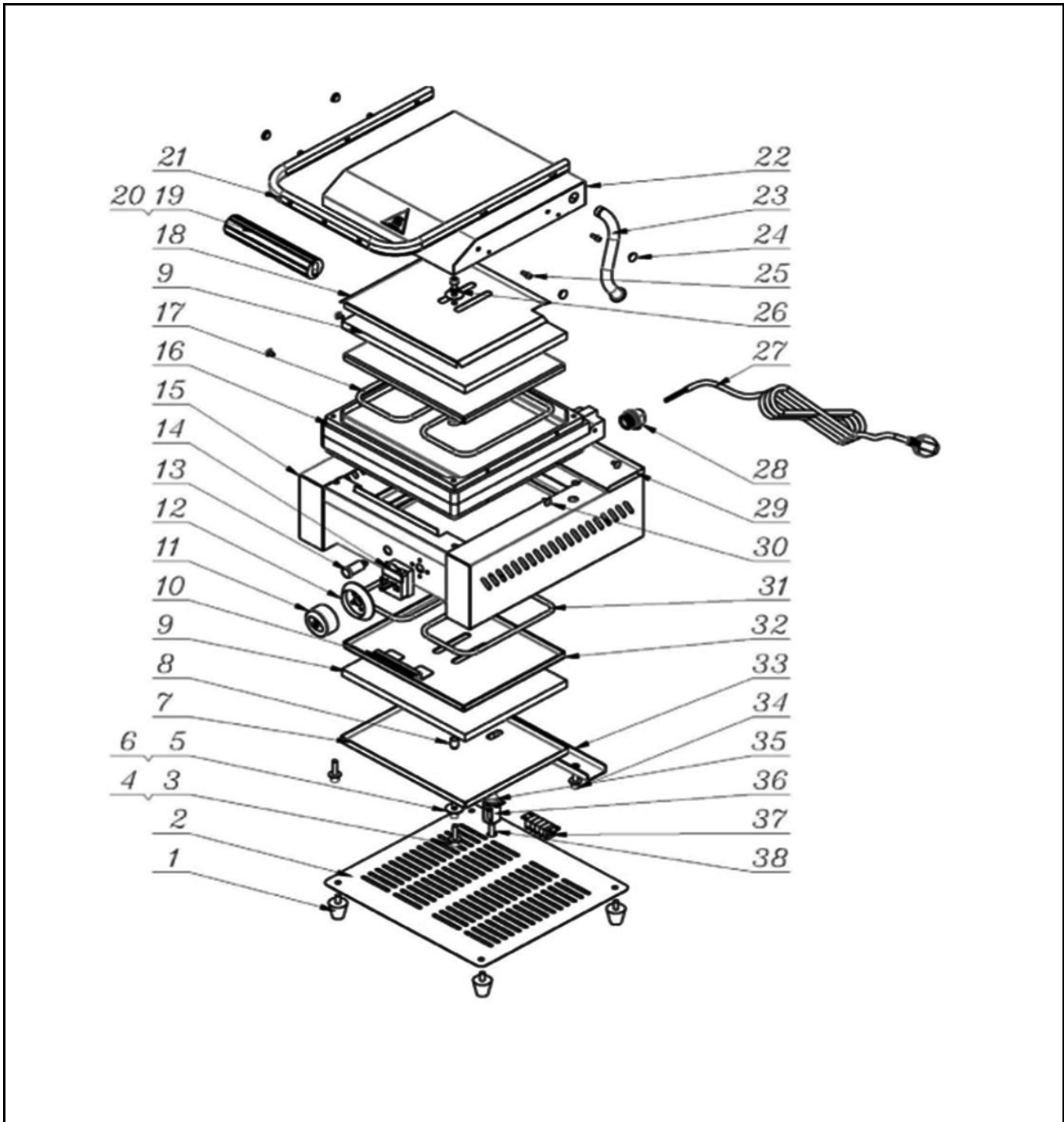



Drawing

| | | |
|--|---------------------|-----------------|
|  <p>Hendi B.V. Steenoven 21 3911 TX Rhenen The Netherlands</p> | Batch # | Appliance part# |
| | 902711-00001 and up | 212103 |
| | Description | |
| | Waffle Maker | |

| | | | |
|----------|-------------------------------|------------|------------------|
| Date | 10-12-2018 | Revision # | Revision version |
| Revision | First bill of materials (BOM) | | |



Bill of materials (BOM)

| | | |
|---|---------------------|------------------------|
|  Hendi B.V. Steenoven 21 3911 TX Rhenen The Netherlands | Batch # | Appliance part# |
| | 902711-00001 and up | 212103 |
| | Description | |
| | Waffle Maker | |


| | | | |
|-----------------|-------------------------------|-------------------|------------------|
| Date | 10-12-2018 | Revision # | Revision version |
| Revision | First bill of materials (BOM) | | |

| Item | Description | Part# | Quantity | Remark | Picture |
|------|------------------------------|--------|----------|-----------------------------|---------|
| 1 | Rubber foot | 912058 | 4 | Sold per 4 pcs | |
| 2 | Bottom plate | n/a | 1 | | |
| 3 | Bolt | n/a | 1 | | |
| 4 | Washer | n/a | 1 | | |
| 5 | Bolt | n/a | 1 | | |
| 6 | Washer | n/a | 1 | | |
| 7 | Isolation plate | n/a | 1 | | |
| 8 | Support plate isolation | n/a | 1 | | |
| 9 | Isolation blanket | n/a | 1 | | |
| 10 | Holder for probe | n/a | 1 | | |
| 11 | Knob | 942222 | 1 | | |
| 12 | Graduation plate | nss | 1 | Available as 942222 | |
| 13 | Indicator light | 921111 | 1 | | |
| 14 | Thermostat | 902011 | 1 | | |
| 15 | Housing | n/a | 1 | | |
| 16 | Grill plate | n/a | 2 | | |
| 17 | Upper element | 902301 | 1 | | |
| 18 | Isolation plate | n/a | 1 | | |
| 19 | Handle | 912249 | 1 | (sold as a set with pos 19) | |
| 20 | Handle | nss | 1 | available as 912249 | |
| 21 | Handle frame | 931707 | 1 | | |
| 22 | Upper cover plate | n/a | 1 | | |
| 23 | Guide pipe wiring | n/a | 1 | | |
| 24 | Silicone cap | n/a | 4 | | |
| 25 | Screw hexagon M5x16mm | n/a | 4 | | |
| 26 | Washer | n/a | 1 | | |
| 27 | Powercord (H05RN-F 3Gx1,5mm) | 930045 | 1 | | |
| 28 | Cord inlet with retention | 912201 | 1 | | |
| 29 | Oil drip tray | 902325 | 1 | | |
| 30 | Screw M5x16mm | n/a | 4 | | |
| 31 | Bottom element | 902301 | 1 | | |
| 32 | Holder plate for element | n/a | 1 | | |
| 33 | Bridge | n/a | 1 | | |
| 34 | Bolt | n/a | 2 | | |
| 35 | Hi-Limiter | 902004 | 1 | | |
| 36 | Reset bracket | n/a | 1 | | |
| 37 | Terminal | n/a | 1 | | |
| 38 | Reset stiff | n/a | 1 | | |
| | | | | | |
| | | | | | |
| | | | | | |

n/a -> not available

nss -> not sold separately

Circuit diagram

| | | |
|---|---------------------|------------------------|
|  Hendi B.V. Steenoven 21 3911 TX Rhenen The Netherlands | Batch # | Appliance part# |
| | 902711-00001 and up | 212103 |
| | Description | |
| | Waffle Maker | |

| | | | |
|-----------------|-------------------------------|-------------------|------------------|
| Date | 10-12-2018 | Revision # | Revision version |
| Revision | First bill of materials (BOM) | | |

